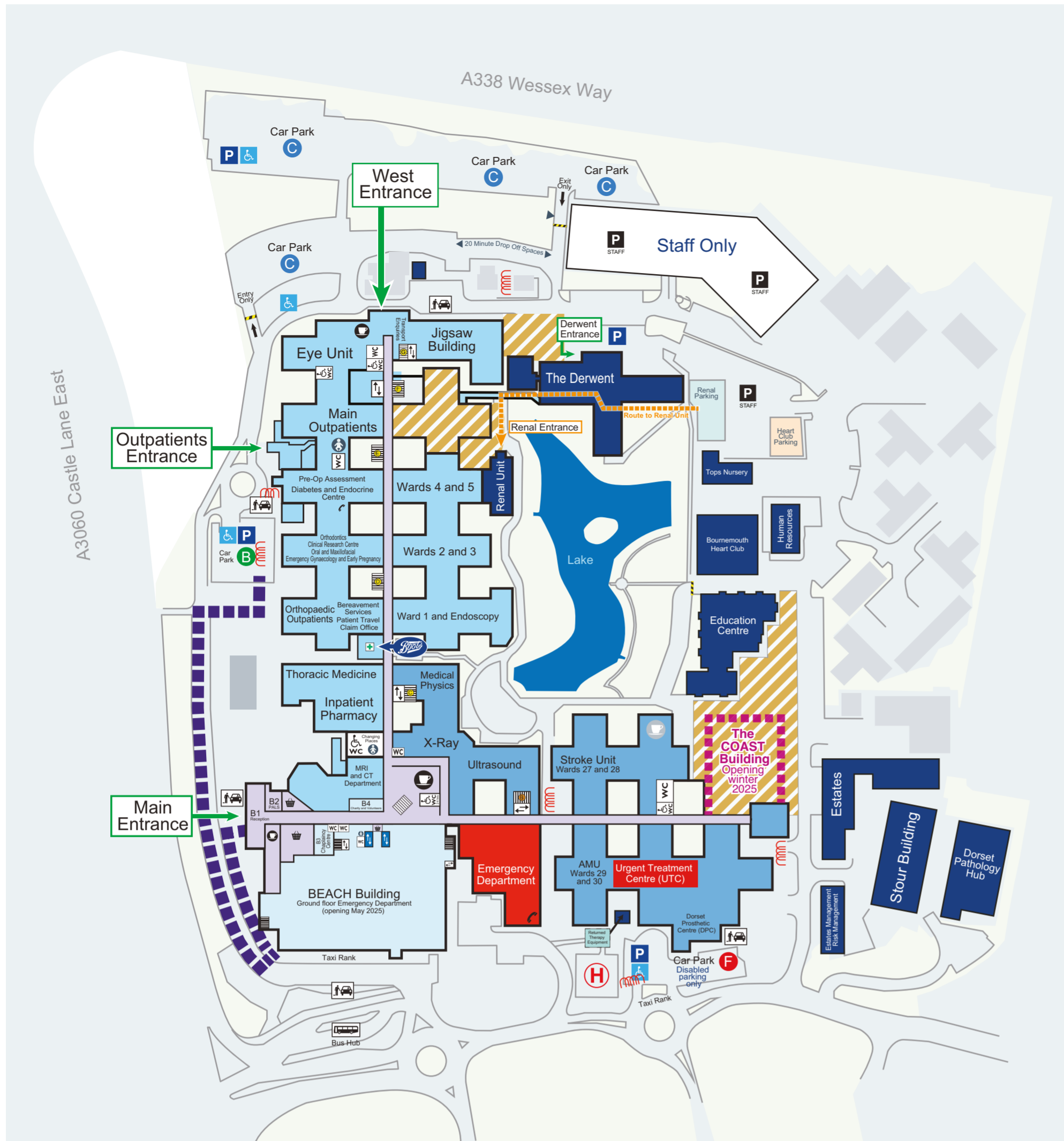


**Royal Bournemouth Hospital**  
site plan

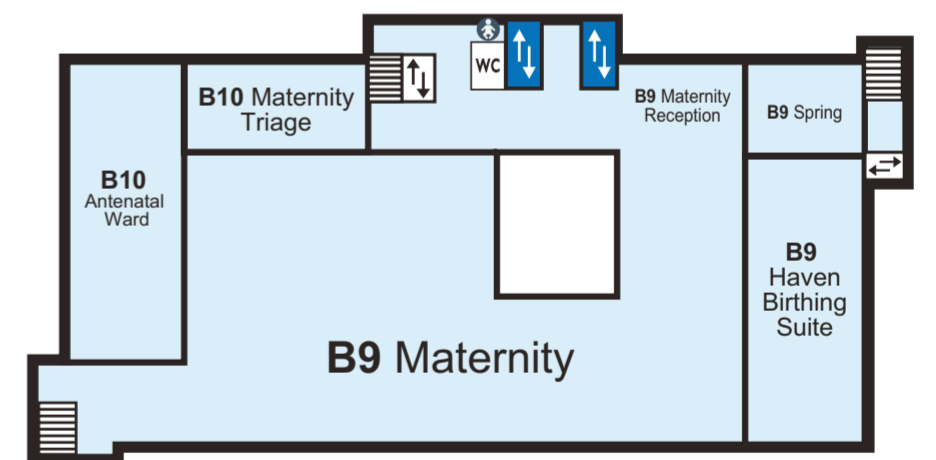
April 2025



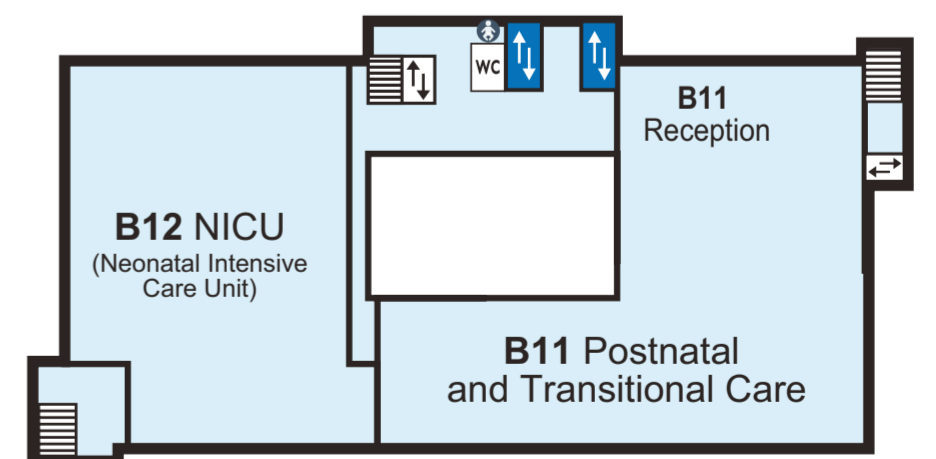
**Key**

- Link corridors
- Stairs
- Lifts
- Staff lifts
- Baby change
- Coffee bar
- Coffee bar (staff only)
- Shop
- Toilets
- Disabled toilets
- Pharmacy
- Helicopter pad
- Public telephone
- Car parking for patients and visitors
- Disabled car parking
- Staff car parking
- Bus Hub
- Drop off point
- Bike hoops
- Building works
- New buildings
- West Wing
- Beach Building
- East Wing
- Externally accessed buildings
- External pedestrian route

**Second Floor**

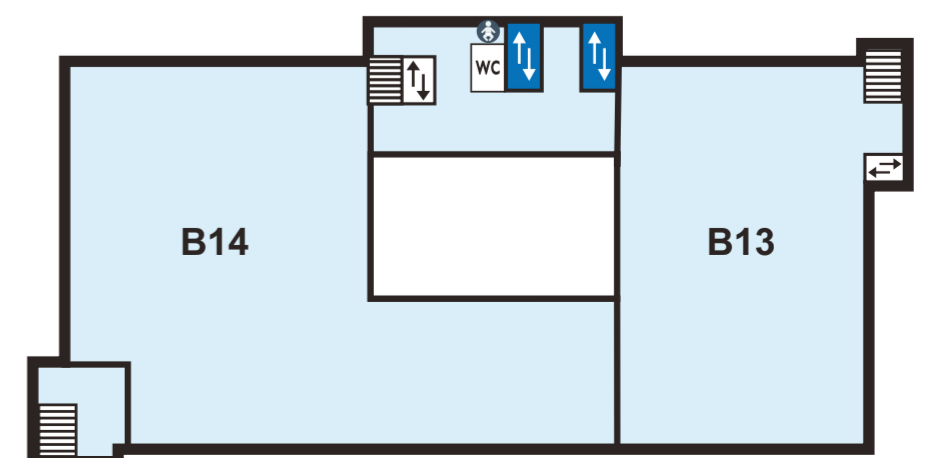


**Third Floor**



**Fourth Floor**

Opening later in 2025/26



**First Floor**

